

Guidelines to.. Door Locking System Repair

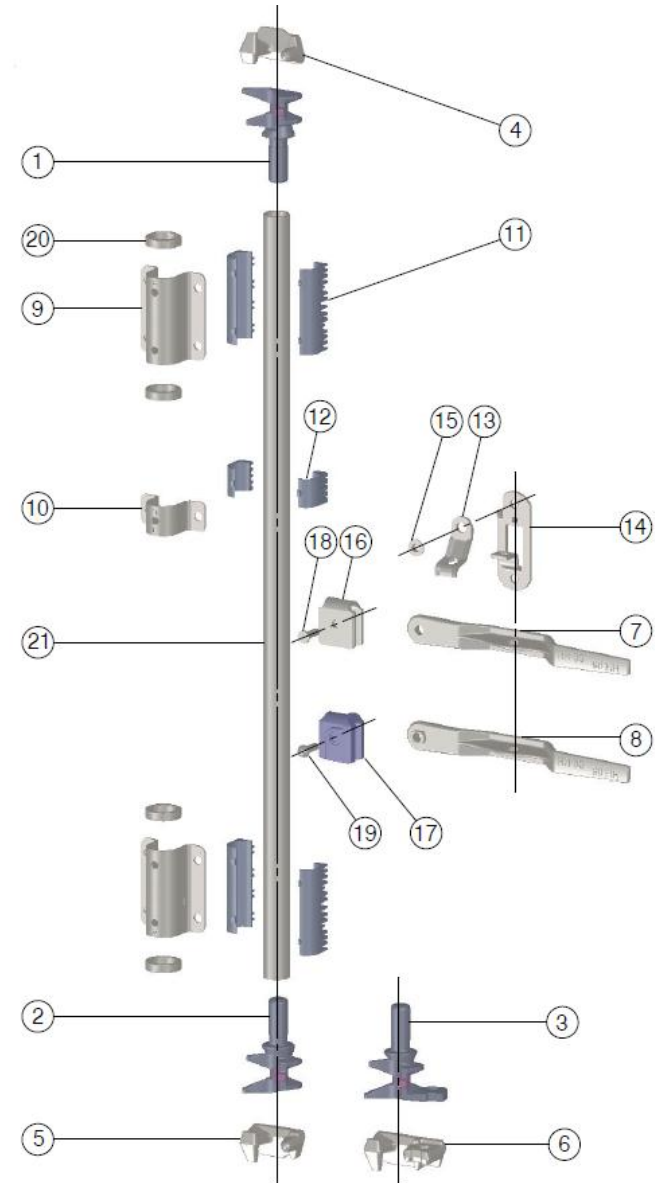
Contents

- Locking Gear Components
- Other Door Components
- Anti-Theft Points
- Inspection Criteria & Repair Guidelines
- STS Codes



Locking Gear Components

Sr.	Component	Qty.
1	Locking Cam (Left)	4
2	Locking Cam (Right)	3
3	Security Locking Cam (Right)	1
4	Cam Keeper (Left)	4
5	Cam Keeper (Right)	3
6	Security Cam Keeper (Right)	1
7	Door Handle	3
8	Door Handle	1
9	Bearing Bracket – Outer – Large	8
10	Bearing Bracket – Outer – Small (GP / HC)	4 / 8
11	Split Large Bush	8
12	Split Small Bush (GP / HC)	4 / 8
13	Retainer Catch w/ or wo/ Security Hole	4
14	Retainer Plate	4
15	Bush	4
16	Handle Hub	4
17	Handle Hub (Security Point – No. 3 Rod)	1
18	Rivet	3
19	Rivet	1
20	Anti-Rack Ring	16
21	Locking Rod	4



Other Door Components



Door hinge components: Hinge pin, nylon bushing, hinge lug and hinge blade.



TIR (Door Overlapping) Plate and Anti-Racking Blocks (for HC containers). Plates can be on the outside (left photo) or the inside of the door (right photo).



Photo is showing the security cam and cam keeper at locking rod No.3. It's also showing the chain door-holdback and door gasket. Holdback can also be made from nylon rope or similar.



Door handle and retainer catch with security holes (left) and with normal catch (right). Repair should be like for like.

Anti-Theft Points



- **Photo 1 – Handle Hub**

Handle hub on locking rod No.3 (from left) is equipped with counter-sunk hole outside to prevent rivet removal from hub illegally. The corresponding door handle is securely attached to the hub to prevent removal, even if the hub rivet was destroyed or removed.

- **Photo 2 & 3 – Locking Cam & Cam Keeper**

Security cam and keeper are installed on locking rod No.3, lower. These are equipped with 15mm hole through which the container seal is inserted.

- **Photo 4 & 5 – Door Handle & Retainer Catch**

Some handles have security holes which also can be used in combination with holed retainer catch to insert seals.

General Repair Guidelines

- Please refer to the Dry Repair Manual for the complete guidelines for inspection criteria and repair of door gear.
- Door hinges are very important to be inspected and repaired – regardless of repair location- to avoid doors from falling off. CENEQPENR will launch a new inspection/repair programme for hinges in the coming months.
- In most cases, repair is like for like. But in some cases, you do not have to repair using the expensive method. For example, no need to install a chain door holdback if you can install a nylon rope. If there is a security cam in place, no need to change the door handle or retainer catch to the holed type, etc.
- There is now a possibility to straighten/repair door handle hub, cam, cam keeper, and other components without replacing. New STS codes cater for that.
- If the container is equipped with security cam, door handles should not be holed to accommodate a seal.



Summary of STS Codes – 1

STS Code	Repair Name	Status	Qty. Pcs.	Time per pc.
5221	Door Gear - Complete Hinge - Replace	Renamed	8	0.6 hr.
5222	Door Gear - Hinge Pin - Replace	Renamed	8	0.2 hr.
5271	Door - Free up both doors and door hardware	Renamed	1	0.3 hr.
5281	Door Gear - Hinge Blade and/or Hinge Lug - Straighten	Renamed	8	0.1 hr.
5421	Door Gear - Locking Rod - Replace	Renamed	4	0.7 hr.
5422	Door Gear - Handle Hub - Replace	Renamed	4	0.2 hr.
5423	Door Gear - Handle Hub - Straighten/Repair	New	4	0.1 hr.
5451	Door Gear - Locking Rod - Section	Renamed	4	0.3 hr.
5481	Door Gear - Locking Rod - Straighten (1 pc. = 1 rod)	Renamed	4	0.2 hr.
5482	Door Gear - Bearing Bracket (Outer) - Straighten	Renamed	4	0.1 hr.
5483	Door Gear - Cam and/or Cam Keeper - Straighten	New	8	0.1 hr.
5522	Door Gear - Bearing Bracket (Outer/Inner) - Replace	Renamed	4	0.2 hr.

Summary of STS Codes – 2

STS Code	Repair Name	Status	Qty. Pcs.	Time per pc.
5523	Door Gear - Handle - Replace	Renamed	4	0.1 hr.
5524	Door Gear - Cam or Cam Keeper - Re-Install	Renamed	8	0.3 hr.
5581	Door Gear - Handle - Straighten (1 pc. = 1 handle)	Renamed	2	0.1 hr.
5621	Door Gear - Retainer Catch and/or Plate - Replace	Renamed	4	0.1 hr.
5622	Door - TIR Plate (Doors Overlapping Plate) - Replace	Renamed	2	0.1 hr.
5623	Door - Anti-Racking Blocks - Replace (only for HC containers)	Renamed	2	0.2 hr.
5624	Door - Door Holdback Rope/Chain - Replace	Renamed	2	0.1 hr.
5681	Door Gear - Retainer Catch and/or Plate - Straighten/Repair for 2 Pieces	Renamed	2	0.1 hr.
5682	Door - TIR Plate or Anti-Racking Blocks - Straighten	Renamed	2	0.1 hr.
5721	Door Gasket - Replace up to 1500 mm	Renamed	4	0.3 hr.
5722	Door Gasket - Replace between 1500 mm to 2300 mm	Renamed	4	0.5 hr.
5726	Door Gasket - Replace complete gasket (per door)	Renamed	2	1.2 hr.

Summary of STS Codes – 3

STS Code	Repair Name	Status	Qty. Pcs.	Time per pc.
5727	Door - Replace door corner tap (per 2 pieces)	Renamed	4	0.1 hr.
5728	Door Gasket - Repair cut by lap joint (per piece)	Renamed	5	0.1 hr.
5731	Door Gasket - Refasten	Renamed	4	0.1 hr.
5921	Door Gasket Retainer - Replace up to 1200 mm	Renamed	6	0.3 hr.
5931	Door - Dismantle for ventilation purposes	Renamed	1	0.4 hr.
5932	Door - Re-install door after dismantling	Renamed	1	0.9 hr.